

AcuCT-S77 Series

Revenue Grade Solid-Core Current Transformer Datasheet



The solid-core AcuCT S77 current transformer features industry-leading 0.15% accuracy and is Measurement Canada approved. An essential tool in revenue or billing applications, the S77 can be paired with high-accuracy power and energy meters to deliver best-in-class signal transformation and precision measurements. The solid-core form factor is resilient against dust or debris and is ideal for challenging installation sites.

Features

- Accuracy class: 0.15%
- Two current input options: 100A or 200A
- Two rated output options: 80mA or 100mA
- Rugged Solid-Core design for high-performance in harsh environments
- Measurement Canada Approved
- UL2808 Listed, 61010-1, & CSA 22.2



Accuenergy (Canada) Inc.
 Los Angeles - Toronto - Beijing - Pretoria
 North America Toll Free: 1-877-721-8908
 Web: www.accuenergy.com
 Email: marketing@accuenergy.com

Revision Date: Sep 2022 Version: 1.0.2
 Specs Subject To Change Without Notice.



Specifications

RATED CURRENT	100A, 200A
Current Range	10%-120% of rated current
Output	80mA, 100mA
Ratio Error	$\leq \pm 0.1$ from 2% to 100% rated current
Phase Error	$\leq 0.02^\circ$
Accuracy	0.15%

MECHANICAL/ENVIRONMENTAL

Form Factor	Solid-Core CT
Window Size	$\varnothing 19.6\text{mm}$ (0.77")
Exterior Dimensions	51.0mm x 19.0mm 2.00" x 0.75"
Case Material	UL 94V-0 rated flame retardant
Lead Wires	1' (305mm), 18AWG UL 1015
Operating Temperature	-25°C to 80°C / -13°F to 176°F
Operating Humidity	Non-Condensing, 80 to 90% RH
Installation Conditions	Indoor Use

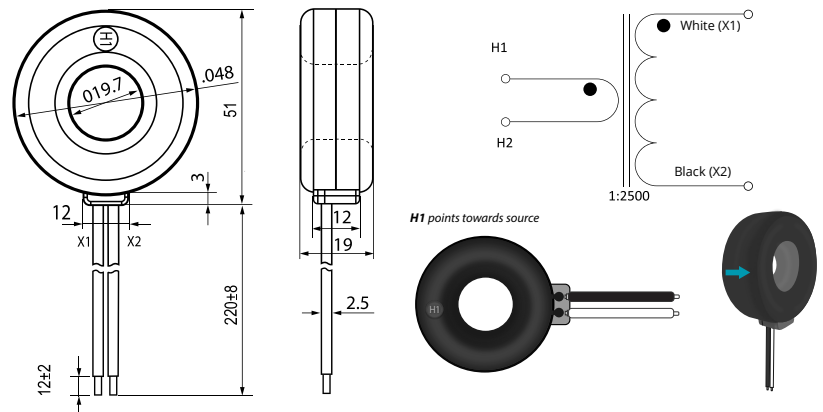
ELECTRICAL

Wire Polarity	White=Positive, Black=Negative
Phase Orientation	H1 points towards source
Frequency Range	50/60Hz
Burden	0.005VA
Impulse Insulation (BIL)	10kV
Insulation Resistance	50M Ω

SAFETY/COMPLIANCE

Rated Voltage	600V
Certifications	CE, RoHS, UL Listed UL2808 (E469633) 61010-1, CSA 22.2
Measurement Canada Approved	0.15 class

Dimensions



Ordering Information

	Model	Rated Input	Rated Output
Ordering Number		-	:
Ordering Example	AcuCT-S77	- 100	: 100mA
		100:100A	80mA
		200: 200A	100mA