

ACCUEVERGY

AcuCT mV Series

333mV Split-Core Current Transformer



D A T A S H E E T

AcuCT mV Series

AcuCT-075

333mV Split-Core Current Transformer
Datasheet



Ideal for gathering high-precision measurements in commercial or industrial electrical panels or switchgear, the AcuCT mV Series is a revenue grade current transformer with a safe, 333mV output. The AcuCT mV is compatible with a range of meters or other instrumentation and the pull-apart, split-core design helps facilitate fast installation without cable or wire disconnection.

Features

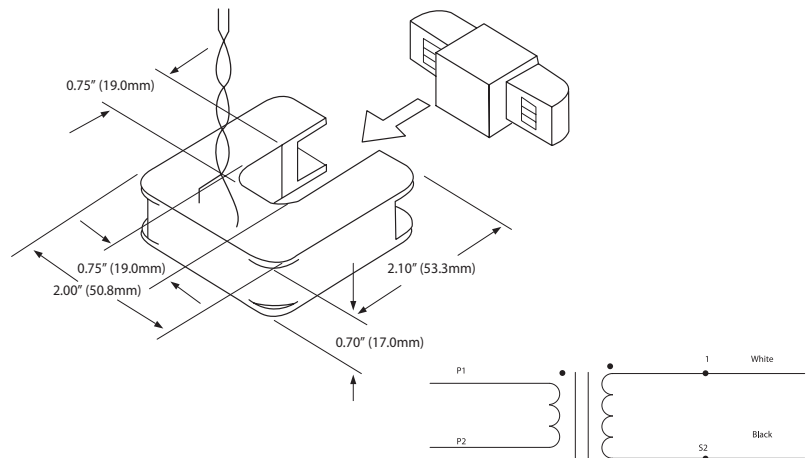
- Revenue grade accuracy: IEC 61869-2 Class 0.5s (from 5% - 120% of rated current)
- Safe, 333mV output
- Split-Core design for quick installation
- UL Recognized



Specifications

RATED CURRENT	
Current Range	5% - 120% of rated current
Output	333mV
Accuracy	IEC 61869-2 Class 0.5s
MECHANICAL/ENVIRONMENTAL	
Form Factor	Split-Core CT
Window Size	19.0mm x 19.0mm (0.75" x 0.75")
Exterior Dimensions	50.8mm x 53.3mm x 17.0mm 2.00" x 2.10" x 0.70"
Case Material	Epoxy Encapsulated Housing, UL 94V-0
Lead Wires	2.5m (8ft) twisted pair, 22AWG
Operating Temperature	-20°C to 55°C / -4°F to 131°F
Operating Humidity	Non-condensing, 0 to 95% RH
Installation Conditions	Indoor Use
ELECTRICAL	
Wire Polarity	White=Positive, Black=Negative
Phase Orientation	Arrow Points Towards Load
Frequency Range	50/60Hz
Output Resistance (Voltage Output)@333mV	100A: 25Ω / 200A: 12.5Ω
SAFETY/COMPLIANCE	
Withstand Voltage	3.0KV/1mA/1min
Insulation Voltage	600Vac, Category III
Rated Voltage	600VAC
Certifications	CE, RoHS, cURus (E359521)

Dimensions



Ordering Information

Ordering Number	Rated Input	Rated Output
AcuCT-075	-	: :333
Ordering Example	AcuCT-075 - 100	: :333
	50: 50A	
	100: 100A	
	200: 200A	



Accuenergy Inc.
Los Angeles - Toronto - Pretoria
North America Toll Free: 1-877-721-8908
Web: www.accuenergy.com
Email: marketing@accuenergy.com

Revision Date: February 2024 Version: 1.1.3
Specs Subject To Change Without Notice.

AcuCT mV Series

AcuCT-125

333mV Split-Core Current Transformer
Datasheet



Ideal for gathering high-precision measurements in commercial or industrial electrical panels or switchgear, the AcuCT mV Series is a revenue grade current transformer with a safe, 333mV output. The AcuCT mV is compatible with a range of meters or other instrumentation and the pull-apart, split-core design helps facilitate fast installation without cable or wire disconnection.

Features

- Revenue grade accuracy: IEC 61869-2 Class 0.5s (from 5% - 120% of rated current)
- Safe, 333mV output
- Split-Core design for quick installation
- UL Recognized



Accuenergy Inc.

Los Angeles - Toronto - Pretoria
North America Toll Free: 1-877-721-8908
Web: www.accuenergy.com
Email: marketing@accuenergy.com

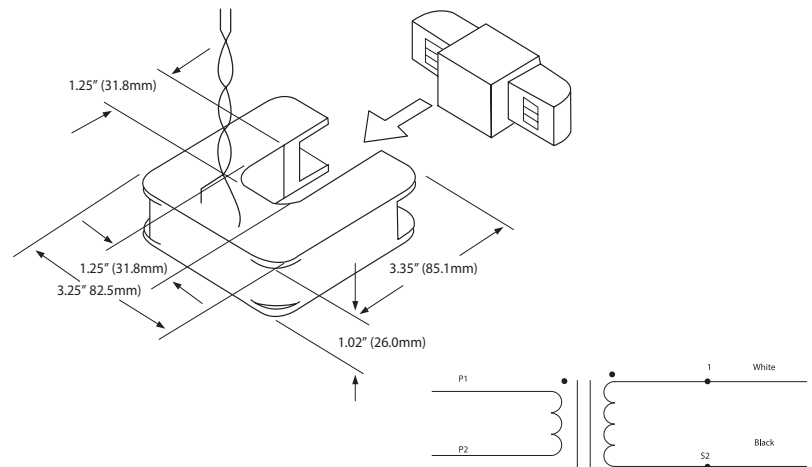
Revision Date: February 2024 Version: 1.0.3
Specs Subject To Change Without Notice.



Specifications

RATED CURRENT	
Current Range	5% - 120% of rated current
Output	333mV
Accuracy	IEC 61869-2 Class 0.5s
MECHANICAL/ENVIRONMENTAL	
Form Factor	Split-Core CT
Window Size	31.8mm x 31.8mm (1.25" x 1.25")
Exterior Dimensions	82.5mm x 85.1mm x 26.0mm 3.25" x 3.35" x 1.02"
Case Material	Epoxy Encapsulated Housing, UL 94V-0
Lead Wires	2.5m (8ft) twisted pair, 22AWG
Operating Temperature	-20°C to 55°C / -4°F to 131°F
Operating Humidity	Non-condensing, 0 to 95% RH
Installation Conditions	Indoor Use
ELECTRICAL	
Wire Polarity	White=Positive, Black=Negative
Phase Orientation	Arrow Points Towards Load
Frequency Range	50/60Hz
Output Resistance (Voltage Output)@333mV	300A: 8.33Ω / 400A: 6.25Ω / 600A: 4.16Ω
SAFETY/COMPLIANCE	
Withstand Voltage	3.0KV/1mA/1min
Insulation Voltage	600Vac, Category III
Rated Voltage	600VAC
Certifications	CE, RoHS, cURus (E359521)

Dimensions



Ordering Information

		Rated Input	Rated Output
Ordering Number	AcuCT- 125	-	: :333
Ordering Example	AcuCT- 125	- 400	: :333
		300: 300A	
		400: 400A	
		600: 600A	

AcuCT mV Series

AcuCT-200

333mV Split-Core Current Transformer
Datasheet



Ideal for gathering high-precision measurements in commercial or industrial electrical panels or switchgear, the AcuCT mV Series is a revenue grade current transformer with a safe, 333mV output. The AcuCT mV is compatible with a range of meters or other instrumentation and the pull-apart, split-core design helps facilitate fast installation without cable or wire disconnection.

Features

- Revenue grade accuracy: IEC 61869-2 Class 0.5s (from 5% - 120% of rated current)
- Safe, 333mV output
- Split-Core design for quick installation
- UL Recognized



Accuenergy Inc.

Los Angeles - Toronto - Pretoria
North America Toll Free: 1-877-721-8908
Web: www.accuenergy.com
Email: marketing@accuenergy.com



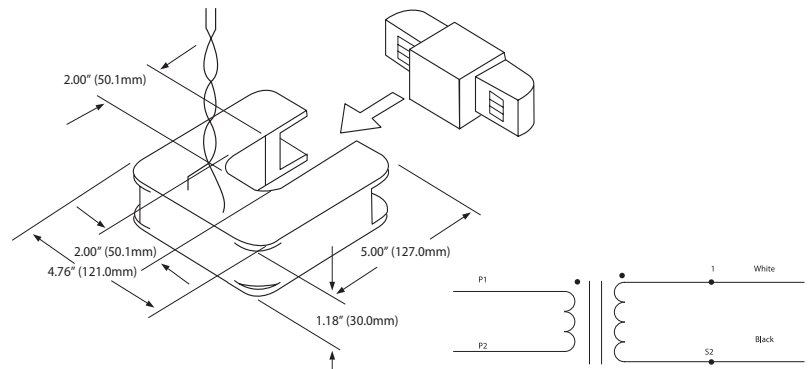
Revision Date: February 2024 Version: 1.0.3
Specs Subject To Change Without Notice.



Specifications

RATED CURRENT	600A, 800A, 1000A, 1200A, 1500A
Current Range	5% - 120% of rated current
Output	333mV
Accuracy	IEC 61869-2 Class 0.5s
MECHANICAL/ENVIRONMENTAL	
Form Factor	Split-Core CT
Window Size	50.1mm x 50.1mm (2.00" x 2.00")
Exterior Dimensions	121.0mm x 127.0mm x 30.0mm 4.76" x 5.00" x 1.18"
Case Material	Epoxy Encapsulated Housing, UL 94V-0
Lead Wires	2.5m (8ft) twisted pair, 22AWG
Operating Temperature	-20°C to 55°C / -4°F to 131°F
Operating Humidity	Non-condensing, 0 to 95% RH
Installation Conditions	Indoor Use
ELECTRICAL	
Wire Polarity	White=Positive, Black=Negative
Phase Orientation	Arrow Points Towards Load
Frequency Range	50/60Hz
Output Resistance (Voltage Output)@333mV	600A: 4.16Ω / 800A: 3.12Ω / 1000A: 2.5Ω / 1200A: 2.08Ω / 1500A: 1.66Ω
SAFETY/COMPLIANCE	
Withstand Voltage	3.0KV/1mA/1min
Insulation Voltage	600Vac, Category III
Rated Voltage	600VAC
Certifications	CE, RoHS, cURus (E359521)

Dimensions



Ordering Information

Ordering Number	Rated Input	Rated Output
AcuCT- 200 -		: :333
Ordering Example	AcuCT- 200 - 800	: :333
	600: 600A	
	800: 800A	
	1000: 1000A	
	1200: 1200A	
	1500: 1500A	

AcuCT mV Series

AcuCT-3050

333mV Split-Core Current Transformer
Datasheet



Ideal for gathering high-precision measurements in commercial or industrial electrical panels or switchgear, the AcuCT mV Series is a revenue grade current transformer with a safe, 333mV output. The AcuCT mV is compatible with a range of meters or other instrumentation and the pull-apart, split-core design helps facilitate fast installation without cable or wire disconnection.

Features

- Revenue grade accuracy: IEC 61869-2 Class 0.5s (from 5% - 120% of rated current)
- Safe, 333mV output
- Split-Core design for quick installation
- UL Recognized



Accuenergy Inc.

Los Angeles - Toronto - Pretoria
North America Toll Free: 1-877-721-8908
Web: www.accuenergy.com
Email: marketing@accuenergy.com

Revision Date: February 2024 Version: 1.0.3
Specs Subject To Change Without Notice.



Specifications

RATED CURRENT	
Current Range	400A, 600A, 1000A, 1500A, 2000A, 3000A, 5000A
Output	5% - 120% of rated current
Accuracy	333mV
	IEC 61869-2 Class 0.5s

MECHANICAL/ENVIRONMENTAL

Form Factor	Split-Core CT
Window Size	76.2mm x 127.0mm (3.00" x 5.00")
Exterior Dimensions	146.0mm x 190.5mm x 35.6mm 5.75" x 7.50" x 1.40"
Case Material	Epoxy Encapsulated Housing, UL 94V-0
Lead Wires	2.5m (8ft) twisted pair, 22AWG
Operating Temperature	-20°C to 55°C / -4°F to 131°F
Operating Humidity	Non-condensing, 0 to 95% RH
Installation Conditions	Indoor Use

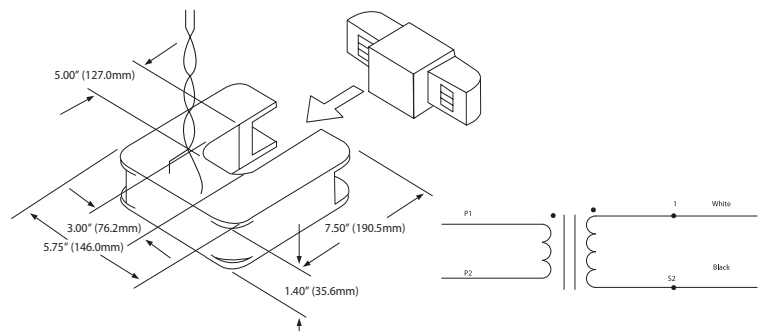
ELECTRICAL

Wire Polarity	White=Positive, Black=Negative
Phase Orientation	Arrow Points Towards Load
Frequency Range	50/60Hz
Output Resistance (Voltage Output)@333mV	400A: 6.25Ω / 600A: 4.16Ω / 1000A: 2.5Ω / 1500A: 1.66Ω / 2000A: 1.25Ω / 3000A: 0.83Ω / 5000A: 0.5Ω

SAFETY/COMPLIANCE

Withstand Voltage	3.0kV/1mA/1min
Insulation Voltage	600Vac, Category III
Rated Voltage	600VAC
Certifications	CE, RoHS, cURus (E359521)

Dimensions



Ordering Information

Ordering Number	Rated Input	Rated Output
AcuCT- 3050	-	: :333
Ordering Example	AcuCT- 3050 - 1000	: :333
	400: 400A	
	600: 600A	
	1000: 1000A	
	1500:1500A	
	2000: 2000A	
	3000: 3000A	
	5000: 5000A	