

# AcuCT Hinged Series

## AcuCT-H100

Compact Split-Core Current Transformer Datasheet



Featuring an ultra-compact design with a convenient, hinged opening, the AcuCT Hinged split-core current transformers are high-accuracy sensors that are ideally-suited for branch circuit monitoring in crowded electrical panels. The installer-friendly, hinged design facilitates fast installation without cable or wire disconnection.

### Features

- High accuracy: 0.5% from 10%-120% of rated current
- Features an inherently-safe, 333mV output
- Quick installation thanks to hinged Split-Core design
- Compact design is ideal for electrical panels with limited space
- UL Recognized



### Accuenergy (Canada) Inc.

Los Angeles - Toronto - Beijing - Pretoria  
 North America Toll Free: 1-877-721-8908  
 Web: [www.accuenergy.com](http://www.accuenergy.com)  
 Email: [marketing@accuenergy.com](mailto:marketing@accuenergy.com)

Revision Date: Sep 2021 Version: 1.0.0  
 Specs Subject To Change Without Notice.



### Specifications

<b>RATED CURRENT</b>	100A, 120A, 200A, 250A
Current Range	10% - 120% of rated current
Output	333mV
Accuracy	0.5%

### MECHANICAL/ENVIRONMENTAL

Form Factor	Hinged Split-Core CT
Window Size	25.4mm (1.00")
Exterior Dimensions	50.8mm x 38.6mm x 70.1mm 2.00" x 1.52" x 2.76"
Case Material	Black Nylon, UL 94V-0
Lead Wires	2.5m (8ft) twisted pair, 26AWG
Operating Temperature	-15°C to 60°C / 5°F to 140°F
Operating Humidity	Non-condensing, 0 to 95% RH
Installation Conditions	Indoor Use

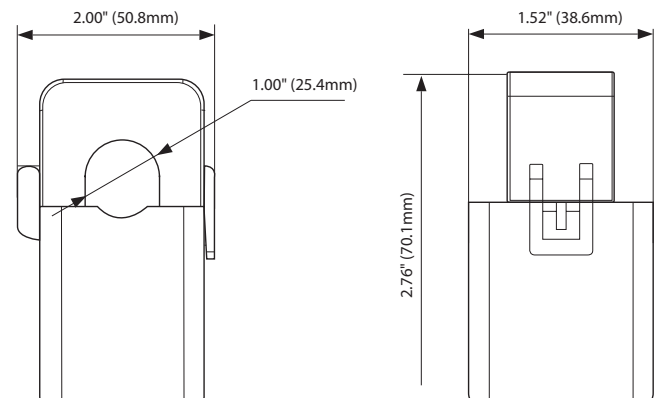
### ELECTRICAL

Wire Polarity	White=Positive, Black=Negative
Phase Orientation	Arrow Points Towards Load
Frequency Range	50-1KHz
Burden	100A: 10Ω / 120A: 8.33Ω / 200A: 5Ω / 250A: 4Ω

### SAFETY/COMPLIANCE

Rated Voltage	600Vac, Category III
Certifications	CE, RoHS, cURus (E359521)

### Dimensions



### Ordering Information

		Rated Input	Rated Output
<b>Ordering Number</b>	AcuCT- H100	-	: :333
<b>Ordering Example</b>	<b>AcuCT- H100</b>	<b>- 120</b>	<b>: :333</b>
		100: 100A	
		120: 120A	
		200: 200A	
		250: 250A	