

AcuCT Hinged Series

AcuCT-H063

Compact Split-Core Current Transformer Datasheet



Featuring an ultra-compact design with a convenient, hinged opening, the AcuCT Hinged split-core current transformers are high-accuracy sensors that are ideally-suited for branch circuit monitoring in crowded electrical panels. The installer-friendly, hinged design facilitates fast installation without cable or wire disconnection.

Features

- High accuracy: 0.5% from 10%-120% of rated current
- Features an inherently-safe, 333mV output
- Quick installation thanks to hinged Split-Core design
- Compact design is ideal for electrical panels with limited space
- UL Recognized



Accuenergy (Canada) Inc.

Los Angeles - Toronto - Beijing - Pretoria
 North America Toll Free: 1-877-721-8908
 Web: www.accuenergy.com
 Email: marketing@accuenergy.com



Revision Date: Sep 2021 Version: 1.0.0
 Specs Subject To Change Without Notice.



Specifications

RATED CURRENT	50A, 100A, 150A
Current Range	10% - 120% of rated current
Output	333mV
Accuracy	0.5%

MECHANICAL/ENVIRONMENTAL

Form Factor	Hinged Split-Core CT
Window Size	16.0mm (0.63")
Exterior Dimensions	36.0mm x 30.5mm x 53.0mm 1.42" x 1.20" x 2.09"
Case Material	Black Nylon, UL 94V-0
Lead Wires	2.5m (8ft) twisted pair, 26AWG
Operating Temperature	-15°C to 60°C / 5°F to 140°F
Operating Humidity	Non-condensing, 0 to 95% RH
Installation Conditions	Indoor Use

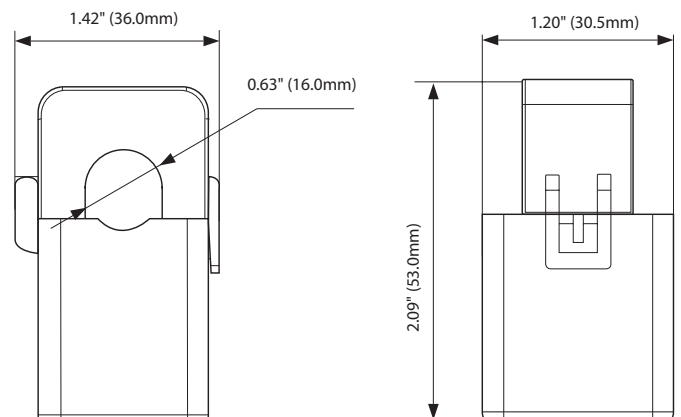
ELECTRICAL

Wire Polarity	White=Positive, Black=Negative
Phase Orientation	Arrow Points Towards Load
Frequency Range	50-1KHz
Burden	50A: 20Ω / 100A: 10Ω / 150A: 6.66Ω

SAFETY/COMPLIANCE

Rated Voltage	600Vac, Category III
Certifications	CE, RoHS, cURus (E359521)

Dimensions



Ordering Information

Ordering Number	Rated Input	Rated Output
AcuCT- H063	-	: :333
Ordering Example	AcuCT- H063	- 50 : :333
	50: 50A	
	100: 100A	
	150: 150A	