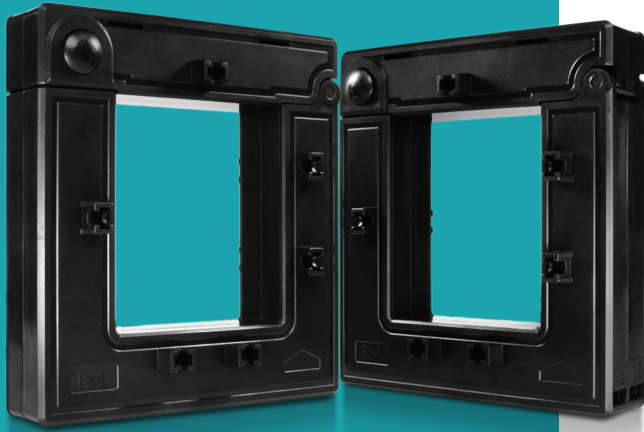


AcuCT R Series

AcuCT-3135R

Revenue Grade Split-Core Current Transformer Datasheet



The AcuCT R Series CTs are premium, revenue grade split-core current transformers with a selection output options and class-leading accuracy. UL2808 Listed for guaranteed safety and quality, the AcuCT R Series combines a compact, durable form factor with a sturdy latch for added assurance in challenging applications. Installation is straightforward thanks to the user-friendly, press-open design.

Features

- Revenue grade accuracy: IEC 61869-2 Class 0.5s (from 5% - 120% of rated current)
- Choose from multiple voltage or current secondary output options including 5A and 333mV
- The press-open design helps to speed and simplify installation



Accuenergy (Canada) Inc.
 Los Angeles - Toronto - Beijing - Pretoria
 North America Toll Free: 1-877-721-8908
 Web: www.accuenergy.com
 Email: marketing@accuenergy.com

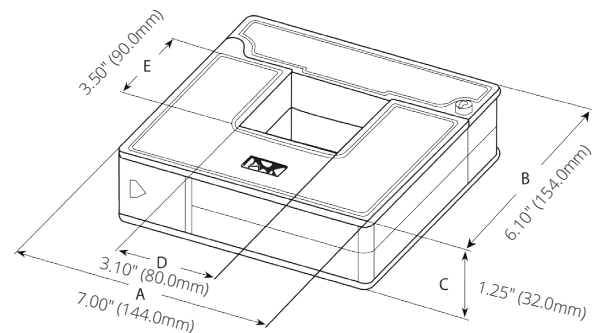
Revision Date: Sep 2021 Version: 1.0.0
 Specs Subject To Change Without Notice



Specifications

RATED CURRENT	600A, 800A, 1000A, 1200A, 1500A
Current Range	5% - 120% of rated current
Output	5A, 1A, 80mA, 100mA, 200mA, 333mV
Accuracy	IEC 61869-2 Class 0.5s
MECHANICAL/ENVIRONMENTAL	
Form Factor	Press Open Split-Core CT
Window Size	80.0mm x 90.0mm (3.10" x 3.50")
Exterior Dimensions	144.0mm x 154.0mm x 32.0mm 7.00" x 6.10" x 1.25"
Case Material	UL enclosure rated to 135°C (275°F)
Lead Wires	2.5m (8ft) UL 1015 18AWG
Operating Temperature	-15°C to 65°C / 5°F to 149°F
Operating Humidity	Non-condensing, 0 to 95% RH
Installation Conditions	Indoor Use
ELECTRICAL	
Wire Polarity	White=Positive, Black=Negative
Phase Orientation	Arrow Points Towards Load
Frequency Range	50/60Hz
Burden	600A: 4.16Ω / 800A: 3.12Ω / 1000A: 2.5Ω / 1200A: 2.08Ω / 1500A: 1.66Ω
SAFETY/COMPLIANCE	
Withstand Voltage	5,000Vac
Rated Voltage	600V
Certifications	CE, RoHS, UL Listed UL2808 (E469633) 61010-1 and CSA 22.2 IEEE 61869-2

Dimensions



Ordering Information

		Rated Input	Rated Output
Ordering Number	AcuCT-3135R	-	:
Ordering Example	AcuCT-3135R	- 600	: 333mV
		600: 600A	1A
		800: 800A	5A
		1000: 1000A	333mV
		1200: 1200A	80mA
		1500: 1500A	100mA
			200mA