

AcuCT R Series

AcuCT-200R

Revenue Grade Split-Core Current Transformer Datasheet



The AcuCT R Series CTs are premium, revenue grade split-core current transformers with a selection output options and class-leading accuracy. UL2808 Listed for guaranteed safety and quality, the AcuCT R Series combines a compact, durable form factor with a sturdy latch for added assurance in challenging applications. Installation is straightforward thanks to the user-friendly, press-open design.

Features

- Revenue grade accuracy: IEC 61869-2 Class 0.5s (from 5% - 120% of rated current)
- Choose from multiple voltage or current secondary output options including 1A and 333mV
- The press-open design helps to speed and simplify installation
- Includes accessories for several mounting options



Accuenergy (Canada) Inc.
 Los Angeles - Toronto - Beijing - Pretoria
 North America Toll Free: 1-877-721-8908
 Web: www.accuenergy.com
 Email: marketing@accuenergy.com

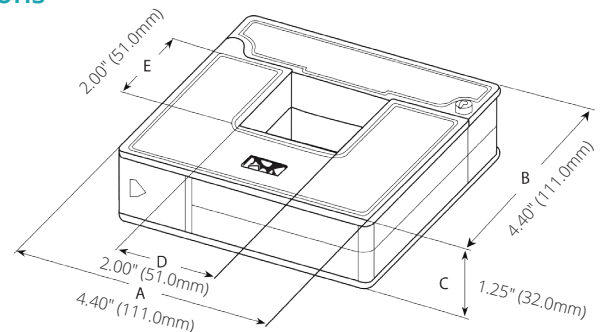
Revision Date: Sep 2021 Version: 1.0.0
 Specs Subject To Change Without Notice



Specifications

| RATED CURRENT | |
|---------------------------------|--|
| Current Range | 5% - 120% of rated current |
| Output | 1A, 80mA, 100mA, 200mA, 333mV |
| Accuracy | IEC 61869-2 Class 0.5s |
| MECHANICAL/ENVIRONMENTAL | |
| Form Factor | Press Open Split-Core CT |
| Window Size | 51.0mm x 51.0mm (2.00" x 2.00") |
| Exterior Dimensions | 111.0mm x 111.0mm x 32.0mm 4.40" x 4.40" x 1.25" |
| Case Material | UL enclosure rated to 135°C (275°F) |
| Lead Wires | 2.5m (8ft) UL 1015 18AWG |
| Operating Temperature | -15°C to 65°C / 5°F to 149°F |
| Operating Humidity | Non-condensing, 0 to 95% RH |
| Installation Conditions | Indoor Use |
| ELECTRICAL | |
| Wire Polarity | White=Positive, Black=Negative |
| Phase Orientation | Arrow Points Towards Load |
| Frequency Range | 50/60Hz |
| Burden | 400A: 6.25Ω / 600A: 4.16Ω / 800A: 3.12Ω / 1000A: 2.5 |
| SAFETY/COMPLIANCE | |
| Withstand Voltage | 5,000Vac |
| Rated Voltage | 600V |
| Certifications | CE, RoHS, UL Listed UL2808 (E469633) 61010-1 and CSA 22.2 IEEE 61869-2 |

Dimensions



Ordering Information

| | | Rated Input | Rated Output |
|-------------------------|------------|-------------|--------------|
| Ordering Number | AcuCT-200R | - | : |
| Ordering Example | AcuCT-200R | - 400 | : 333mV |
| | | 400: 400A | 1A |
| | | 600: 600A | 333mV |
| | | 800: 800A | 80mA |
| | | 1000: 1000A | 100mA |
| | | | 200mA |