

AcuCT mV Series

AcuCT-200

333mV Split-Core Current Transformer
Datasheet



Ideal for gathering high-precision measurements in commercial or industrial electrical panels or switchgear, the AcuCT mV Series is a revenue grade current transformer with a safe, 333mV output. The AcuCT mV is compatible with a range of meters or other instrumentation and the pull-apart, split-core design helps facilitate fast installation without cable or wire disconnection.

Features

- Revenue grade accuracy: IEC 61869-2 Class 0.5s (from 5% - 120% of rated current)
- Safe, 333mV output
- Split-Core design for quick installation
- UL Recognized



Accuenergy (Canada) Inc.
Los Angeles - Toronto - Beijing - Pretoria
North America Toll Free: 1-877-721-8908
Web: www.accuenergy.com
Email: marketing@accuenergy.com

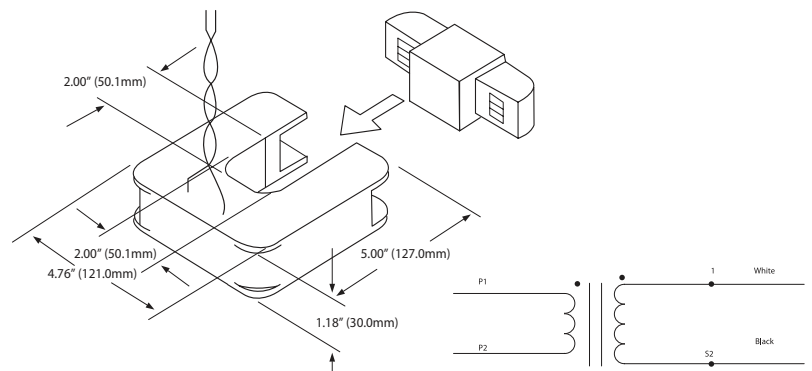
Revision Date: Sep 2021 Version: 1.0.0
Specs Subject To Change Without Notice.



Specifications

RATED CURRENT	
Current Range	600A, 800A, 1000A, 1200A, 1500A
Output	5% - 120% of rated current
Accuracy	333mV
	IEC 61869-2 Class 0.5s
MECHANICAL/ENVIRONMENTAL	
Form Factor	Split-Core CT
Window Size	50.1mm x 50.1mm (2.00" x 2.00")
Exterior Dimensions	121.0mm x 127.0mm x 30.0mm 4.76" x 5.00" x 1.18"
Case Material	Epoxy Encapsulated Housing, UL 94V-0
Lead Wires	2.5m (8') twisted pair, 22AWG
Operating Temperature	-20°C to 55°C / -4°F to 131°F
Operating Humidity	Non-condensing, 0 to 95% RH
Installation Conditions	Indoor Use
ELECTRICAL	
Wire Polarity	White=Positive, Black=Negative
Phase Orientation	Arrow Points Towards Load
Frequency Range	50/60Hz
Burden	600A: 4.16Ω / 800A: 3.12Ω / 1000A: 2.5Ω / 1200A: 2.08Ω / 1500A: 1.66Ω
SAFETY/COMPLIANCE	
Withstand Voltage	3,000Vac
Insulation Voltage	600Vac, Category III
Rated Voltage	600V
Certifications	CE, RoHS, cURus (E359521)

Dimensions



Ordering Information

Ordering Number	Rated Input	Rated Output
AcuCT- 200 -		: :333
Ordering Example	AcuCT- 200 - 800	: :333
	600: 600A	
	800: 800A	
	1000: 1000A	
	1200: 1200A	
	1500: 1500A	