

AcuCT mV Series

AcuCT-125

333mV Split-Core Current Transformer
Datasheet



Ideal for gathering high-precision measurements in commercial or industrial electrical panels or switchgear, the AcuCT mV Series is a revenue grade current transformer with a safe, 333mV output. The AcuCT mV is compatible with a range of meters or other instrumentation and the pull-apart, split-core design helps facilitate fast installation without cable or wire disconnection.

Features

- Revenue grade accuracy: IEC 61869-2 Class 0.5s (from 5% - 120% of rated current)
- Safe, 333mV output
- Split-Core design for quick installation
- UL Recognized



Accuenergy (Canada) Inc.
Los Angeles - Toronto - Beijing - Pretoria
North America Toll Free: 1-877-721-8908
Web: www.accuenergy.com
Email: marketing@accuenergy.com

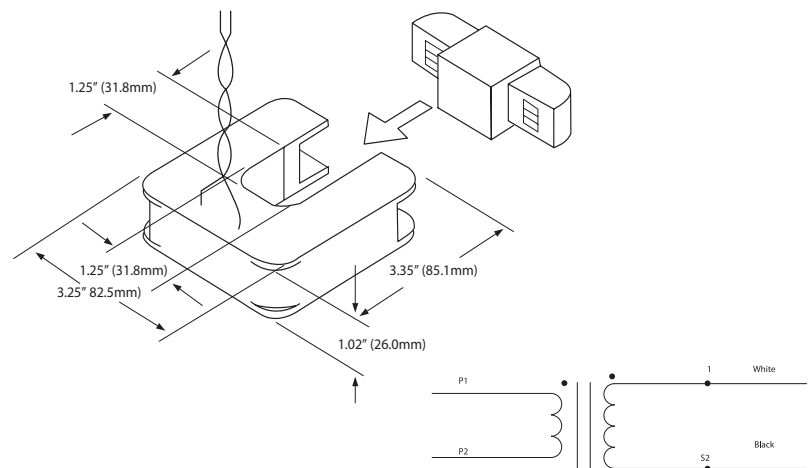
Revision Date: Sep 2021 Version: 1.0.0
Specs Subject To Change Without Notice.



Specifications

RATED CURRENT	
Current Range	300A, 400A, 600A
Output	5% - 120% of rated current
Output	333mV
Accuracy	IEC 61869-2 Class 0.5s
MECHANICAL/ENVIRONMENTAL	
Form Factor	Split-Core CT
Window Size	31.8mm x 31.8mm (1.25" x 1.25")
Exterior Dimensions	82.5mm x 85.1mm x 26.0mm 3.25" x 3.35" x 1.02"
Case Material	Epoxy Encapsulated Housing, UL 94V-0
Lead Wires	2.5m (8') twisted pair, 22AWG
Operating Temperature	-20°C to 55°C / -4°F to 131°F
Operating Humidity	Non-condensing, 0 to 95% RH
Installation Conditions	Indoor Use
ELECTRICAL	
Wire Polarity	White=Positive, Black=Negative
Phase Orientation	Arrow Points Towards Load
Frequency Range	50/60Hz
Burden	300A: 8.33Ω / 400A: 6.25Ω / 600A: 4.16Ω
SAFETY/COMPLIANCE	
Withstand Voltage	3,000Vac
Insulation Voltage	600Vac, Category III
Rated Voltage	600V
Certifications	CE, RoHS, cURus (E359521)

Dimensions



Ordering Information

		Rated Input	Rated Output
Ordering Number	AcuCT- 125	-	: :333
Ordering Example	AcuCT- 125	- 400	: :333
		300: 300A	
		400: 400A	
		600: 600A	