

AcuCT R Series

AcuCT-100R

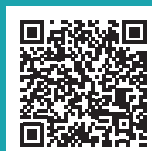
Revenue Grade Split-Core Current Transformer Datasheet



The AcuCT R Series CTs are premium, revenue grade split-core current transformers with a selection output options and class-leading accuracy. UL2808 Listed for guaranteed safety and quality, the AcuCT R Series combines a compact, durable form factor with a sturdy latch for added assurance in challenging applications. Installation is straightforward thanks to the user-friendly, press-open design.

Features

- Revenue grade accuracy: IEC 61869-2 Class 0.5s (from 5% - 120% of rated current)
- Choose from multiple voltage or current secondary output options including 1A and 333mV
- The press-open design helps to speed and simplify installation
- Includes accessories for several mounting options
- UL Listed for XOBA UL2808 standard, CSA C22.2 No. 61010-1



Accuenergy (Canada) Inc.
 Los Angeles - Toronto - Beijing - Pretoria
 North America Toll Free: 1-877-721-8908
 Web: www.accuenergy.com
 Email: marketing@accuenergy.com

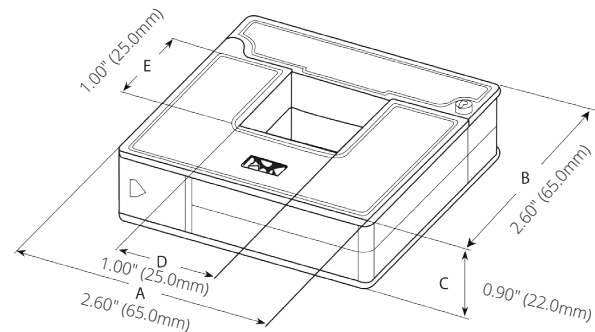
Revision Date: Sep 2021 Version: 1.0.0
 Specs Subject To Change Without Notice



Specifications

RATED CURRENT	100A, 200A, 250A
Current Range	5% - 120% of rated current
Output	1A, 80mA, 100mA, 200mA, 333mV
Accuracy	IEC 61869-2 Class 0.5s
MECHANICAL/ENVIRONMENTAL	
Form Factor	Press Open Split-Core CT
Window Size	25.0mm x 25.0mm (1.00" x 1.00")
Exterior Dimensions	65.0mm x 65.0mm x 22.0mm 2.60" x 2.60" x 0.90"
Case Material	UL enclosure rated to 135°C (275°F)
Lead Wires	2.5m (8ft) UL 1015 18AWG
Operating Temperature	-15°C to 65°C / 5°F to 149°F
Operating Humidity	Non-condensing, 0 to 95% RH
Installation Conditions	Indoor Use
ELECTRICAL	
Wire Polarity	White=Positive, Black=Negative
Phase Orientation	Arrow Points Towards Load
Frequency Range	50/60Hz
Burden	100A: 25Ω / 200A: 12.5Ω / 250A: 10Ω
SAFETY/COMPLIANCE	
Withstand Voltage	5,000Vac
Rated Voltage	600V
Certifications	CE, RoHS, UL Listed UL2808 (E469633) 61010-1 and CSA 22.2 IEEE 61869-2

Dimensions



Ordering Information

Ordering Number	Rated Input	Rated Output
AcuCT-100R -	:	
Ordering Example AcuCT-100R - 100	:	333mV
	100: 100A	1A
	200: 200A	333mV
	250: 250A	80mA
		100mA
		200mA