

# AcuCT R Series

## AcuCT-075R

Revenue Grade Split-Core Current Transformer Datasheet



The AcuCT R Series CTs are premium, revenue grade split-core current transformers with a selection output options and class-leading accuracy. UL2808 Listed for guaranteed safety and quality, the AcuCT R Series combines a compact, durable form factor with a sturdy latch for added assurance in challenging applications. Installation is straightforward thanks to the user-friendly, press-open design.

### Features

- Revenue grade accuracy: IEC 61869-2 Class 0.5s (from 5% - 120% of rated current)
- Choose from multiple secondary output options including 80mA and 333mV
- The press-open design helps to speed and simplify installation
- Includes accessories for several mounting options
- UL Listed for XOBA UL2808 standard, CSA C22.2 No. 61010-1



**Accuenergy (Canada) Inc.**  
 Los Angeles - Toronto - Beijing - Pretoria  
 North America Toll Free: 1-877-721-8908  
 Web: [www.accuenergy.com](http://www.accuenergy.com)  
 Email: [marketing@accuenergy.com](mailto:marketing@accuenergy.com)

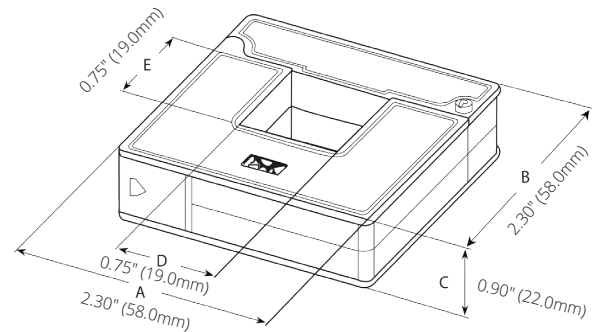
Revision Date: Sep 2021 Version: 1.0.0  
 Specs Subject To Change Without Notice



### Specifications

<b>RATED CURRENT</b>		50A, 100A, 150A
Current Range	5% - 120% of rated current	
Output	80mA, 100mA, 200mA, 333mV	
Accuracy	IEC 61869-2 Class 0.5s	
<b>MECHANICAL/ENVIRONMENTAL</b>		
Form Factor	Press Open Split-Core CT	
Window Size	19.0mm x 19.0mm (0.75" x 0.75")	
Exterior Dimensions	58.0mm x 58.0mm x 22.0mm 2.30" x 2.30" x 0.90"	
Case Material	UL enclosure rated to 135°C (275°F)	
Lead Wires	2.5m (8ft) UL 1015 18AWG	
Operating Temperature	-15°C to 65°C / 5°F to 149°F	
Operating Humidity	Non-condensing, 0 to 95% RH	
Installation Conditions	Indoor Use	
<b>ELECTRICAL</b>		
Wire Polarity	White=Positive, Black=Negative	
Phase Orientation	Arrow Points Towards Load	
Frequency Range	50/60Hz	
Burden	100A: 25Ω	
<b>SAFETY/COMPLIANCE</b>		
Withstand Voltage	5,000Vac	
Rated Voltage	600V	
Certifications	CE, RoHS, UL Listed UL2808 (E469633) 61010-1 and CSA 22.2 IEEE 61869-2	

### Dimensions



### Ordering Information

		Rated Input	Rated Output
<b>Ordering Number</b>	AcuCT-075R	-	:
<b>Ordering Example</b>	AcuCT-075R	- 50	: 333mV
		50: 50A	333mV
		100: 100A	80mA
		150: 150A	100mA
			200mA