

AcuCT mV Series

AcuCT-075

333mV Split-Core Current Transformer
Datasheet



Ideal for gathering high-precision measurements in commercial or industrial electrical panels or switchgear, the AcuCT mV Series is a revenue grade current transformer with a safe, 333mV output. The AcuCT mV is compatible with a range of meters or other instrumentation and the pull-apart, split-core design helps facilitate fast installation without cable or wire disconnection.

Features

- Revenue grade accuracy: IEC 61869-2 Class 0.5s (from 5% - 120% of rated current)
- Safe, 333mV output
- Split-Core design for quick installation
- UL Recognized



Accuenergy (Canada) Inc.
Los Angeles - Toronto - Beijing - Pretoria
North America Toll Free: 1-877-721-8908
Web: www.accuenergy.com
Email: marketing@accuenergy.com

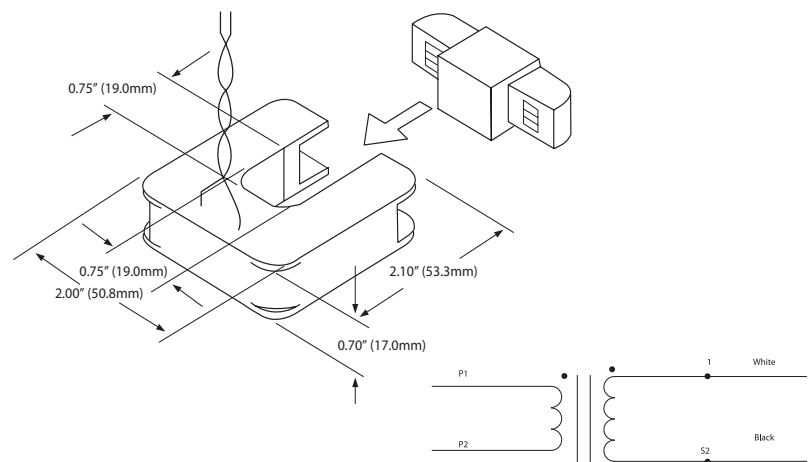
Revision Date: Feb 2023 Version: 1.1.0
Specs Subject To Change Without Notice.



Specifications

RATED CURRENT	50A, 100A, 200A
Current Range	5% - 120% of rated current
Output	333mV
Accuracy	IEC 61869-2 Class 0.5s
MECHANICAL/ENVIRONMENTAL	
Form Factor	Split-Core CT
Window Size	19.0mm x 19.0mm (0.75" x 0.75")
Exterior Dimensions	50.8mm x 53.3mm x 17.0mm 2.00" x 2.10" x 0.70"
Case Material	Epoxy Encapsulated Housing, UL 94V-0
Lead Wires	2.5m (8') twisted pair, 22AWG
Operating Temperature	-20°C to 55°C / -4°F to 131°F
Operating Humidity	Non-condensing, 0 to 95% RH
Installation Conditions	Indoor Use
ELECTRICAL	
Wire Polarity	White=Positive, Black=Negative
Phase Orientation	Arrow Points Towards Load
Frequency Range	50/60Hz
Burden	100A: 25Ω / 200A: 12.5Ω
SAFETY/COMPLIANCE	
Withstand Voltage	3,000Vac
Insulation Voltage	600Vac, Category III
Rated Voltage	600V
Certifications	CE, RoHS, cURus (E359521)

Dimensions



Ordering Information

		Rated Input	Rated Output
Ordering Number	AcuCT- 075 -	:	:333
Ordering Example	AcuCT- 075 - 100	:	:333
		50: 50A	
		100: 100A	
		200: 200A	