

Test Lead & Voltage Clip

Test Lead & Voltage Clip Datasheet



Designed with a highly flexible test lead wire, it is insulated in a durable EPR case material and has a CAT IV safety rating. The voltage clip's sturdy alligator clamp provides a tight grip for secure installations.

Features

- Dual shrouded stackable banana plugs and alligator clamps
- 6.0m (19.69ft) length test lead wire
- 27.0mm (1.06") jaw opening
- 17 AWG Standardized wire gauge
- Available in five color options



Accuenergy (Canada) Inc.
 Los Angeles - Toronto - Beijing - Pretoria
 North America Toll Free: 1-877-721-8908
 Web: www.accuenergy.com
 Email: marketing@accuenergy.com

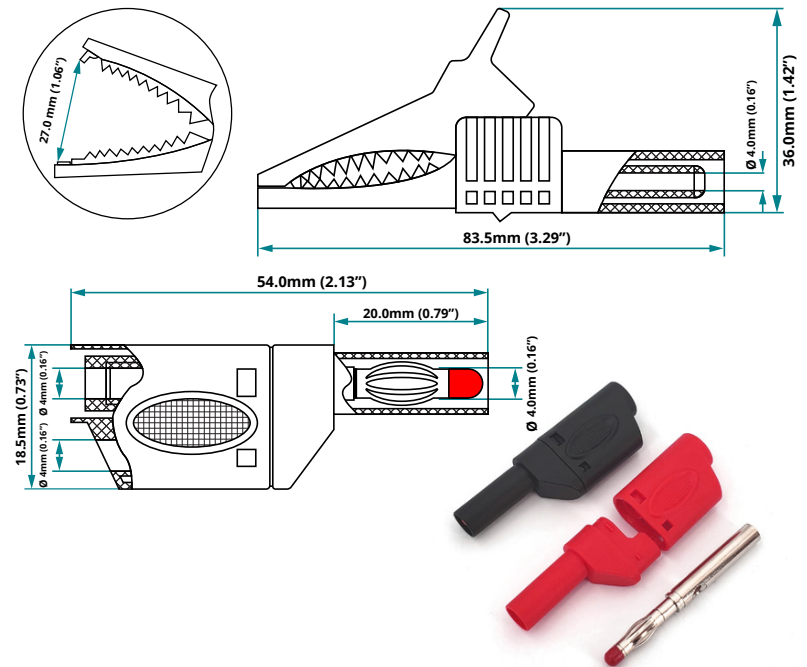
Revision Date: September 2022 Version: 1.0.0
 Specs Subject To Change Without Notice.



Specifications

RATED VOLTAGE/CURRENT	1000V, CAT IV/32A
MECHANICAL/ENVIRONMENTAL	
Form Factor	Test lead with dual banana plugs and alligator clamps with banana plug input
Clamp Opening Size	27.0 mm (1.06")
Test Lead Length	6.0 m / 19.69 ft
Case Material	EPR
Lead Wires	17 AWG
Available Colors	Red, Black, Blue, Green, Yellow

Dimensions



Ordering Information

Testing Leads	Connector	Type	Color
TL: Testing Leads	L-6: 6.0m/19.69ft Testing Lead	2IB: Two (2) Banana Insertions	RED: Red
			BLACK: Black
			BLUE: Blue
			GREEN: Green
			YELLOW: Yellow
Ordering Example: TL-L-6-2IB-RED			

Voltage Clips	Type	Color
TL-AC: Alligator Voltage Clips with Banana Connection	40: 4.0mm Banana Jack	RED: Red
		BLACK: Black
		BLUE: Blue
		GREEN: Green
		YELLOW: Yellow
Ordering Example: TL-AC-40-BLUE		

Note: Please contact Accuenergy if other lead length or color are required.