

ENC-12127P

IP67 Rated Wall Mount Enclosure



Meter sold separately.

Protect your device from tampering and the elements:

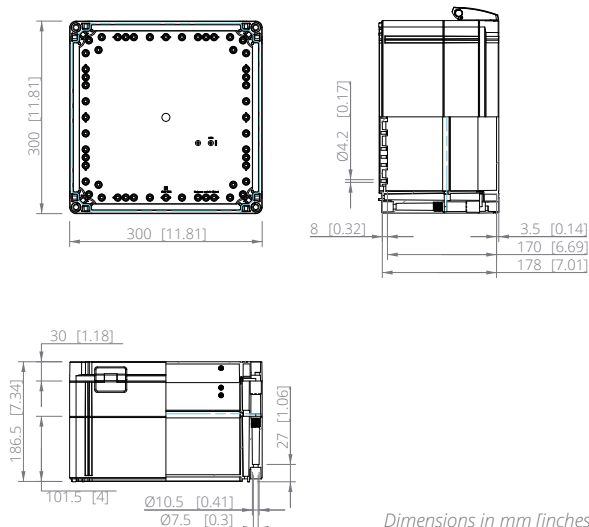
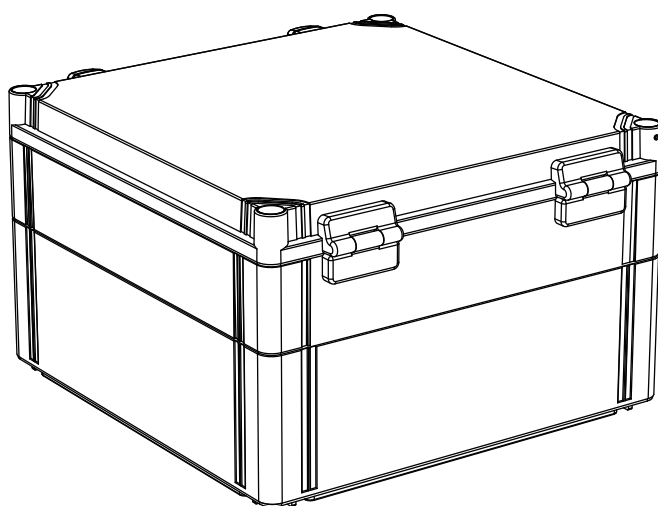
This enclosure offers a secure wall mounting option for AcuRev 2100 Series submeters and other DIN rail mountable devices. The enclosure is IP66/67 rated to ensure durability and is equipped with a steel mounting plate to facilitate flexible installation of DIN rail to suit a wide range of device mounting configurations. The opaque lid features handy quick-release latches that can be secured via screw lock or with a padlock for additional protection.

Dimensions:	Length	Width	Height
mm	187	300	300
inch	7.4	11.8	11.8

Specifications	
Ingress Protection	IP66/IP67
Flammability Rating	UL 746C 5-inch flame test
Certifications	UL 508A, EN 62208
Impact Strength	IK 08
Installation Environment	Indoor/Outdoor
Base Material	Fiberglass Reinforced Polycarbonate
Cover Material	Polycarbonate (opaque)

Ordering Information	
Model	ENC-12127P

Ordering Information



Accuenergy (Canada) Inc.
 Los Angeles | Toronto | Beijing | Pretoria
 North America Toll Free: 1-877-721-8908
 Web: www.accuenergy.com
 Email: marketing@accuenergy.com

