

ACCUEVERGY

AcuCT R Series

Revenue Grade Split-Core Current Transformer



D A T A S H E E T

AcuCT R Series

AcuCT-5170R

Revenue Grade Split-Core Current Transformer Datasheet



The AcuCT R Series CTs are premium, revenue grade split-core current transformers with a selection output options and class-leading accuracy. UL2808 Listed for guaranteed safety and quality, the AcuCT R Series combines a compact, durable form factor with a sturdy latch for added assurance in challenging applications. Installation is straightforward thanks to the user-friendly, press-open design.

Features

- Revenue grade accuracy: IEC 61869-2 Class 0.5s (from 5% - 120% of rated current)
- Choose from multiple voltage or current secondary output options including 5A and 333mV



Accuenergy (Canada) Inc.
 /RV#OHV7RUR#ML#UHR#LD
 North America Toll Free: 1-877-721-8908
 Web: www.accuenergy.com
 Email: marketing@accuenergy.com

Revision Date: Sep 2021 Version: 1.0.0
 Specs Subject To Change Without Notice



RATED CURRENT	
Current Range	5% - 120% of rated current
Output	5A, 1A, 80mA, 100mA, 200mA, 333mV
Accuracy	IEC 61869-2 Class 0.5s

MECHANICAL/ENVIRONMENTAL

Form Factor	Press Open Split-Core CT
Window Size	130.0mm x 180.0mm (5.10" x 7.00")
Exterior Dimensions	210.0mm x 260.0mm x 45.0mm 8.30" x 10.20" x 1.80"
Case Material	UL enclosure rated to 135°C (275°F)
Lead Wires	2.5m (8ft) UL 1015 18AWG
Operating Temperature	-15°C to 65°C / 5°F to 149°F
Operating Humidity	Non-condensing, 0 to 95% RH
Installation Conditions	Indoor Use

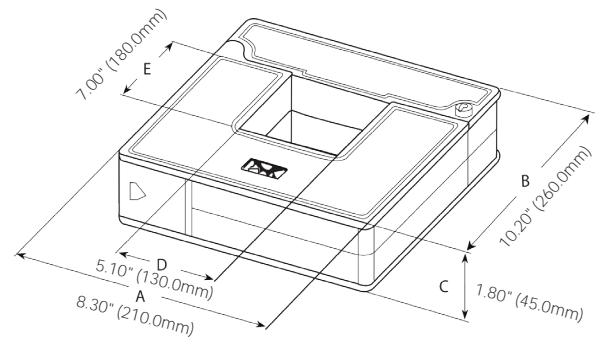
ELECTRICAL

Wire Polarity	White=Positive, Black=Negative
Phase Orientation	Arrow Points Towards Load
Frequency Range	50/60Hz
Burden	

SAFETY/COMPLIANCE

Withstand Voltage	5,000Vac
Rated Voltage	600V
ULW4FDWLR	CE, RoHS, UL Listed UL2808 (E469633) 61010-1 and CSA 22.2 IEEE 61869-2

LPH#LR



2UGHUL#UPDWLR

Ordering Number	Rated Input	Rated Output
AcuCT-5170R	-	:
Ordering Example	AcuCT-5170R - 2000	: 333mV
	1000: 1000A	1A
	1600: 1600A	5A
	2000: 2000A	333mV
	3000: 3000A	80mA
	4000: 4000A	100mA
	5000: 5000A	200mA