

ACCUEVERGY

AcuCT mV Series

333mV Split-Core Current Transformer



D A T A S H E E T

AcuCT mV Series

AcuCT-075

333mV Split-Core Current Transformer
Datasheet



Ideal for gathering high-precision measurements in commercial or industrial electrical panels or switchgear, the AcuCT mV Series is a revenue grade current transformer with a safe, 333mV output. The AcuCT mV is compatible with a range of meters or other instrumentation and the pull-apart, split-core design helps facilitate fast installation without cable or wire disconnection.

Features

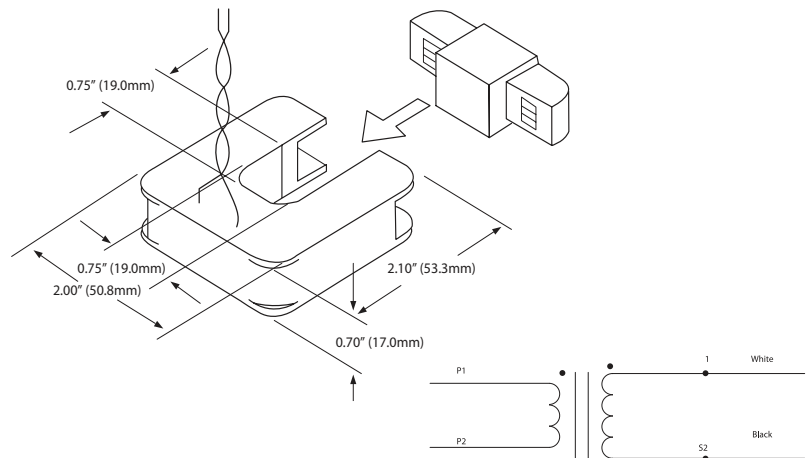
- Revenue grade accuracy: IEC 61869-2 Class 0.5 (from 5% - 120% of rated current)
- Safe, 333mV output
- Split-Core design for quick installation
- UL Recognized



Specifications

| RATED CURRENT | |
|--|---|
| Current Range | 5% - 120% of rated current |
| Output | 333mV |
| Accuracy | IEC 61869-2 Class 0.5 |
| MECHANICAL/ENVIRONMENTAL | |
| Form Factor | Split-Core CT |
| Window Size | 19.0mm x 19.0mm (0.75" x 0.75") |
| Exterior Dimensions | 50.8mm x 53.3mm x 17.0mm 2.00" x 2.10" x 0.70" |
| Case Material | Epoxy Encapsulated Housing, UL 94V-0 |
| Lead Wires | 2.5m (8ft) twisted pair, 22AWG |
| Operating Temperature | -20°C to 55°C / -4°F to 131°F |
| Operating Humidity | Non-condensing, 0 to 95% RH |
| Installation Conditions | Indoor Use |
| ELECTRICAL | |
| Wire Polarity | White=Positive, Black=Negative |
| Phase Orientation | Arrow Points Towards Load |
| Frequency Range | 50/60Hz |
| Output Resistance (Voltage Output)@333mV | 100A: 25Ω / 200A: 12.5Ω |
| SAFETY/COMPLIANCE | |
| Withstand Voltage | 3.0KV/1mA/1min |
| Insulation Voltage | 600Vac, Category III |
| Rated Voltage | 600VAC |
| Certifications | CE, RoHS, cURus (E359521) |

Dimensions



Ordering Information

| Ordering Number | Rated Input | Rated Output |
|------------------|-----------------|--------------|
| AcuCT-075 | - | : :333 |
| Ordering Example | AcuCT-075 - 100 | : :333 |
| | 50: 50A | |
| | 100: 100A | |
| | 200: 200A | |



Accuenergy Inc.
Los Angeles - Toronto - Pretoria
North America Toll Free: 1-877-721-8908
Web: www.accuenergy.com
Email: marketing@accuenergy.com

Revision Date: February 2025 Version: 1.1.4
Specs Subject To Change Without Notice.

AcuCT mV Series

AcuCT-125

333mV Split-Core Current Transformer
Datasheet



Ideal for gathering high-precision measurements in commercial or industrial electrical panels or switchgear, the AcuCT mV Series is a revenue grade current transformer with a safe, 333mV output. The AcuCT mV is compatible with a range of meters or other instrumentation and the pull-apart, split-core design helps facilitate fast installation without cable or wire disconnection.

Features

- Revenue grade accuracy: IEC 61869-2 Class 0.5 (from 5% - 120% of rated current)
- Safe, 333mV output
- Split-Core design for quick installation
- UL Recognized



Accuenergy Inc.

Los Angeles - Toronto - Pretoria
North America Toll Free: 1-877-721-8908
Web: www.accuenergy.com
Email: marketing@accuenergy.com



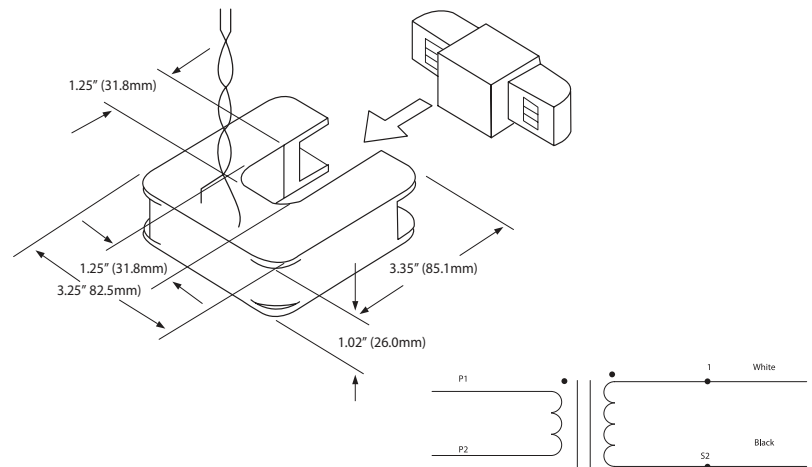
Revision Date: February 2025 Version: 1.0.4
Specs Subject To Change Without Notice.



Specifications

| RATED CURRENT | |
|--|---|
| Current Range | 300A, 400A, 600A |
| Output | 5% - 120% of rated current |
| Accuracy | 333mV |
| | IEC 61869-2 Class 0.5 |
| MECHANICAL/ENVIRONMENTAL | |
| Form Factor | Split-Core CT |
| Window Size | 31.8mm x 31.8mm (1.25" x 1.25") |
| Exterior Dimensions | 82.5mm x 85.1mm x 26.0mm 3.25" x 3.35" x 1.02" |
| Case Material | Epoxy Encapsulated Housing, UL 94V-0 |
| Lead Wires | 2.5m (8ft) twisted pair, 22AWG |
| Operating Temperature | -20°C to 55°C / -4°F to 131°F |
| Operating Humidity | Non-condensing, 0 to 95% RH |
| Installation Conditions | Indoor Use |
| ELECTRICAL | |
| Wire Polarity | White=Positive, Black=Negative |
| Phase Orientation | Arrow Points Towards Load |
| Frequency Range | 50/60Hz |
| Output Resistance (Voltage Output)@333mV | 300A: 8.33Ω / 400A: 6.25Ω / 600A: 4.16Ω |
| SAFETY/COMPLIANCE | |
| Withstand Voltage | 3.0KV/1mA/1min |
| Insulation Voltage | 600Vac, Category III |
| Rated Voltage | 600VAC |
| Certifications | CE, RoHS, cURus (E359521) |

Dimensions



Ordering Information

| | | Rated Input | Rated Output |
|------------------|------------|-------------|--------------|
| Ordering Number | AcuCT- 125 | - | : :333 |
| Ordering Example | AcuCT- 125 | - 400 | : :333 |
| | | 300: 300A | |
| | | 400: 400A | |
| | | 600: 600A | |

AcuCT mV Series

AcuCT-200

333mV Split-Core Current Transformer
Datasheet



Ideal for gathering high-precision measurements in commercial or industrial electrical panels or switchgear, the AcuCT mV Series is a revenue grade current transformer with a safe, 333mV output. The AcuCT mV is compatible with a range of meters or other instrumentation and the pull-apart, split-core design helps facilitate fast installation without cable or wire disconnection.

Features

- Revenue grade accuracy: IEC 61869-2 Class 0.5 (from 5% - 120% of rated current)
- Safe, 333mV output
- Split-Core design for quick installation
- UL Recognized



Accuenergy Inc.

Los Angeles - Toronto - Pretoria
North America Toll Free: 1-877-721-8908
Web: www.accuenergy.com
Email: marketing@accuenergy.com

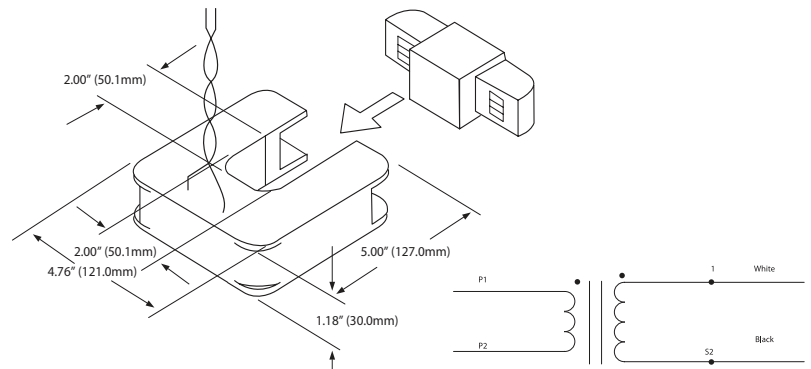
Revision Date: February 2025 Version: 1.0.4
Specs Subject To Change Without Notice.



Specifications

| | |
|--|---|
| RATED CURRENT | 600A, 800A, 1000A, 1200A, 1500A |
| Current Range | 5% - 120% of rated current |
| Output | 333mV |
| Accuracy | IEC 61869-2 Class 0.5 |
| MECHANICAL/ENVIRONMENTAL | |
| Form Factor | Split-Core CT |
| Window Size | 50.1mm x 50.1mm (2.00" x 2.00") |
| Exterior Dimensions | 121.0mm x 127.0mm x 30.0mm 4.76" x 5.00" x 1.18" |
| Case Material | Epoxy Encapsulated Housing, UL 94V-0 |
| Lead Wires | 2.5m (8ft) twisted pair, 22AWG |
| Operating Temperature | -20°C to 55°C / -4°F to 131°F |
| Operating Humidity | Non-condensing, 0 to 95% RH |
| Installation Conditions | Indoor Use |
| ELECTRICAL | |
| Wire Polarity | White=Positive, Black=Negative |
| Phase Orientation | Arrow Points Towards Load |
| Frequency Range | 50/60Hz |
| Output Resistance (Voltage Output)@333mV | 600A: 4.16Ω / 800A: 3.12Ω / 1000A: 2.5Ω / 1200A: 2.08Ω / 1500A: 1.66Ω |
| SAFETY/COMPLIANCE | |
| Withstand Voltage | 3.0KV/1mA/1min |
| Insulation Voltage | 600Vac, Category III |
| Rated Voltage | 600VAC |
| Certifications | CE, RoHS, cURus (E359521) |

Dimensions



Ordering Information

| | | Rated Input | Rated Output |
|-------------------------|------------|-------------|--------------|
| Ordering Number | AcuCT- 200 | - | : :333 |
| Ordering Example | AcuCT- 200 | - 800 | : :333 |
| | | 600: 600A | |
| | | 800: 800A | |
| | | 1000: 1000A | |
| | | 1200: 1200A | |
| | | 1500: 1500A | |

AcuCT mV Series

AcuCT-3050

333mV Split-Core Current Transformer
Datasheet



Ideal for gathering high-precision measurements in commercial or industrial electrical panels or switchgear, the AcuCT mV Series is a revenue grade current transformer with a safe, 333mV output. The AcuCT mV is compatible with a range of meters or other instrumentation and the pull-apart, split-core design helps facilitate fast installation without cable or wire disconnection.

Features

- Revenue grade accuracy: IEC 61869-2 Class 0.5 (from 5% - 120% of rated current)
- Safe, 333mV output
- Split-Core design for quick installation
- UL Recognized



Accuenergy Inc.

Los Angeles - Toronto - Pretoria
North America Toll Free: 1-877-721-8908
Web: www.accuenergy.com
Email: marketing@accuenergy.com

Revision Date: February 2025 Version: 1.0.4
Specs Subject To Change Without Notice.



Specifications

| RATED CURRENT | |
|---------------|---|
| Current Range | 400A, 600A, 1000A, 1500A, 2000A, 3000A, 5000A |
| Output | 5% - 120% of rated current |
| Accuracy | 333mV |
| | IEC 61869-2 Class 0.5 |

MECHANICAL/ENVIRONMENTAL

| | |
|-------------------------|---|
| Form Factor | Split-Core CT |
| Window Size | 76.2mm x 127.0mm (3.00" x 5.00") |
| Exterior Dimensions | 146.0mm x 190.5mm x 35.6mm 5.75" x 7.50" x 1.40" |
| Case Material | Epoxy Encapsulated Housing, UL 94V-0 |
| Lead Wires | 2.5m (8ft) twisted pair, 22AWG |
| Operating Temperature | -20°C to 55°C / -4°F to 131°F |
| Operating Humidity | Non-condensing, 0 to 95% RH |
| Installation Conditions | Indoor Use |

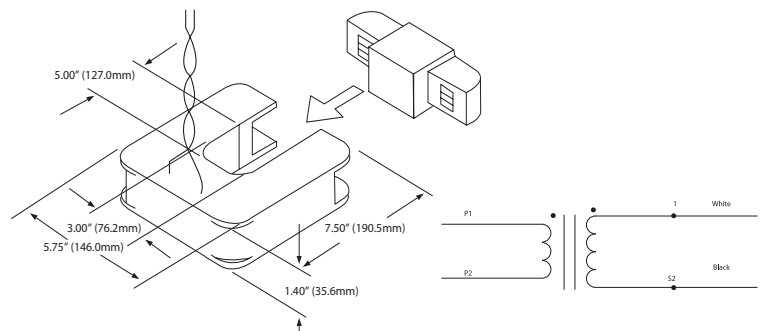
ELECTRICAL

| | |
|--|--|
| Wire Polarity | White=Positive, Black=Negative |
| Phase Orientation | Arrow Points Towards Load |
| Frequency Range | 50/60Hz |
| Output Resistance (Voltage Output)@333mV | 400A: 6.25Ω / 600A: 4.16Ω / 1000A: 2.5Ω / 1500A: 1.66Ω / 2000A: 1.25Ω / 3000A: 0.83Ω / 5000A: 0.5Ω |

SAFETY/COMPLIANCE

| | |
|--------------------|---------------------------|
| Withstand Voltage | 3.0kV/1mA/1min |
| Insulation Voltage | 600Vac, Category III |
| Rated Voltage | 600VAC |
| Certifications | CE, RoHS, cURus (E359521) |

Dimensions



Ordering Information

| Ordering Number | Rated Input | Rated Output |
|------------------|--------------------|--------------|
| AcuCT- 3050 | - | : :333 |
| Ordering Example | AcuCT- 3050 - 1000 | : :333 |
| | 400: 400A | |
| | 600: 600A | |
| | 1000: 1000A | |
| | 1500:1500A | |
| | 2000: 2000A | |
| | 3000: 3000A | |
| | 5000: 5000A | |