

AcuSplitCT Series 200R

Split Core Current Transformers

The Accuenergy split core CTs are compact and low-cost current transformers with high accuracy. The CTs are ideal for quick and easy installation without disconnecting cables during installation. Multiple installation mechanisms provide stable and durable current measurement.

FEATURES

- Multiple output including 1A, 80mA, 100mA, 200mA, 333mV
- Simple hinged installation
- Can be installed on cable, bus and panel
- Standard Window size from 0.75 to 5 by 7 inch
- Listed to UL2808, 61010-1 and CSA 22.2

SPECIFICATIONS

| | |
|----------------------------|--|
| Rated Primary Current | Up to 1000A |
| Rated Output | 1A, 80mA, 100mA, 200mA, 333mV |
| Withstand Voltage | 5,000Vac |
| Operating Amb. Temperature | -15°C to 65°C |
| Accuracy | IEC 60044-1 0.5s class |
| Lead | 8 ft(2.5m) UL 1015 22AWG |
| Construction | UL enclosure rated to 135°C |
| Certifications | UL listed UL2808, 61010-1 and CSA 22.2 |

ORDERING INFORMATION

| | Rated Input | Rated Output |
|------------------|-------------------------|----------------|
| Ordering Number | AcuCT-200R - | - |
| Ordering Example | AcuCT-200R - 400 | - 333mV |
| | 400: 400A | 1A |
| | 600: 600A | 333mV |
| | 800: 800A | 80mA |
| | 1000: 1000A | 100mA |
| | | 200mA |

Note: For any other size and ratio, please contact Accuenergy Corp.

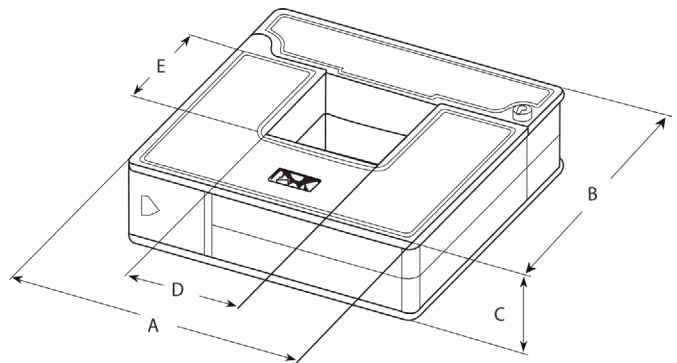


Accuenergy Corp.

Los Angeles - Toronto - Beijing - Pretoria
 North America Toll Free: 1-877-721-8908
 Web: www.accuenergy.com
 Email: marketing@accuenergy.com



DIMENSIONS



SIZE CHART

| Dimensions (inch/mm) | | | | |
|----------------------|-----------|-----------|----------|----------|
| A | B | C | D | E |
| 4.4/111.0 | 4.4/111.0 | 1.25/32.0 | 2.0/51.0 | 2.0/51.0 |