

AcuSplitCT Series 50/100/150A

Hinged Split Core Current Transformers

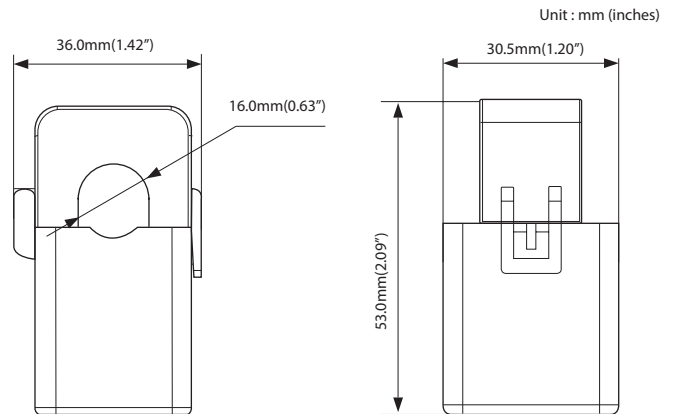
The Accuenergy hinged split core CTs are compact and low-cost current transformers with high accuracy. Designed with a single-click installation mechanism, the hinged CTs are ideal for quick and easy installation without disconnecting cables. The compact size is perfect for limited-space panels.



SPECIFICATIONS

Rated Input & Output	333mV@ 50/100/150A AC
Accuracy	0.5%
Frequency Range	50-1KHz
Window Size	0.63 Inch
Case Material	Black Nylon
Rated Voltage	600 Vac, Category III
Note: Do not use 600V class CT in application with voltage greater than 600V L-L	
Operating Temperature	-15°C - 60°C
Certifications	UR & CE approved, RoHS compliant
Lead	White-Positive, Brown-Negative, Bare-shield; 26AWG

DIMENSIONS



ORDERING INFORMATION

Ordering Number: AcuCT- H063 - Rated Input : 333

Ordering Example: AcuCT- H063 - 50 : 333

50: 50A

100: 100A

150: 150A



Accuenergy Corp.

Los Angeles - Toronto - Beijing - Pretoria

North America Toll Free: 1-877-721-8908

Web: www.accuenergy.com

Email: marketing@accuenergy.com

ACCUEENERGY
Your Power and Automation Partner